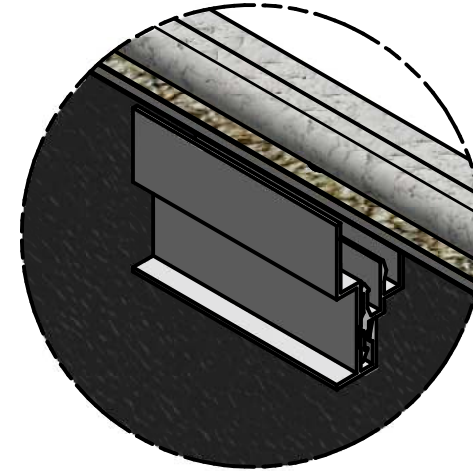
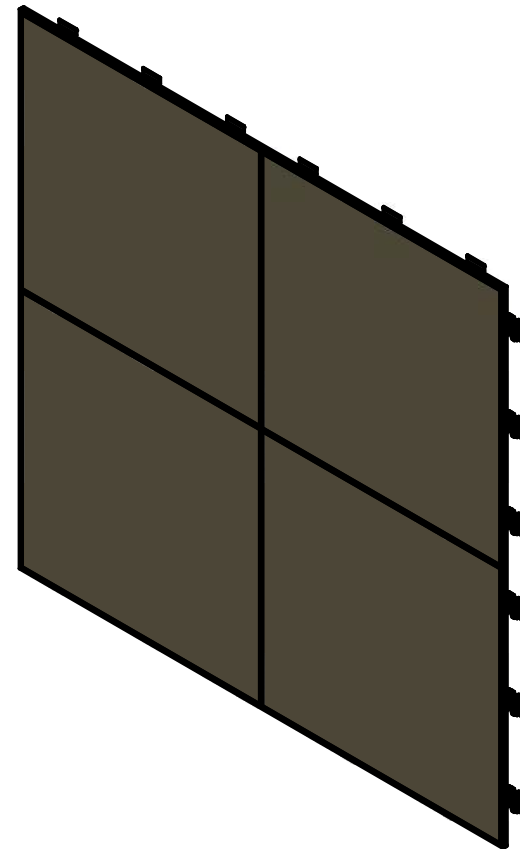


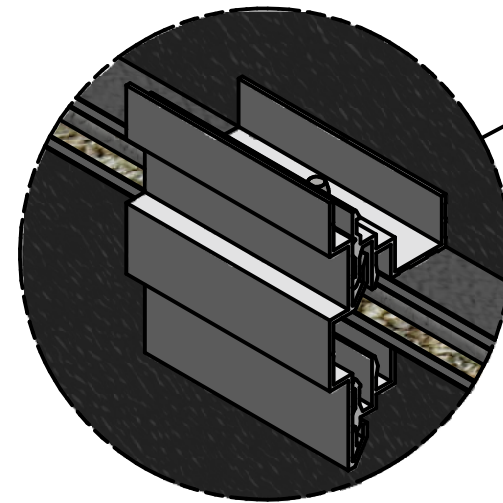


OMNI GLASS & PAINT, INC.
 3530 OMNI DRIVE
 OSHKOSH, WI 54903

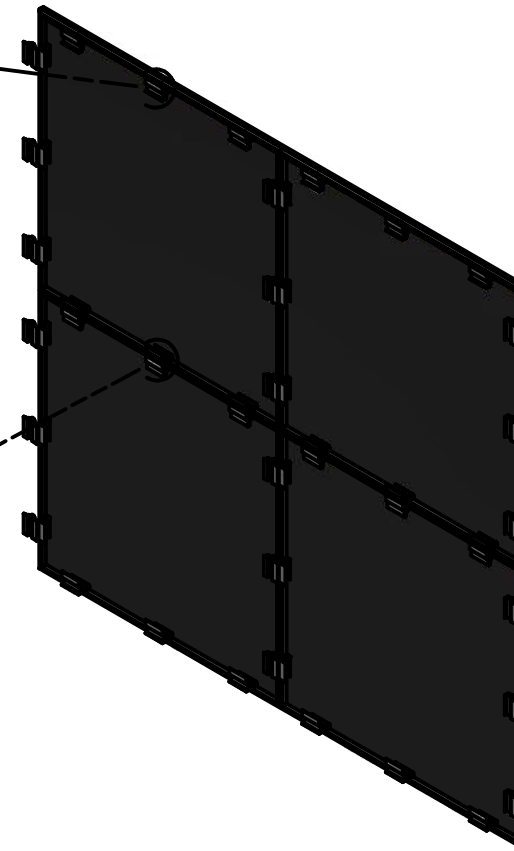
PM NAME: JASON HOULE
 PM PHONE: 920-233-3333
 PM FAX: 920-236-7890



STARTER CLIP
 W2370



INTERMEDIATE CLIP
 W2369



OMNI WS™
ROUT & RETURN - WET SEAL SYSTEM
 www.omnigp.com • (800) 236-8222

PROJECT:

OMNI WS™
 ROUT & RETURN - WET SEAL SYSTEM

ARCHITECT:

CONTRACTOR:

OMNI GLASS & PAINT, INC. - OSHKOSH, WI

DESCRIPTION:

ISOMETRIC VIEWS

SCALE:

1/2" = 1'-0"

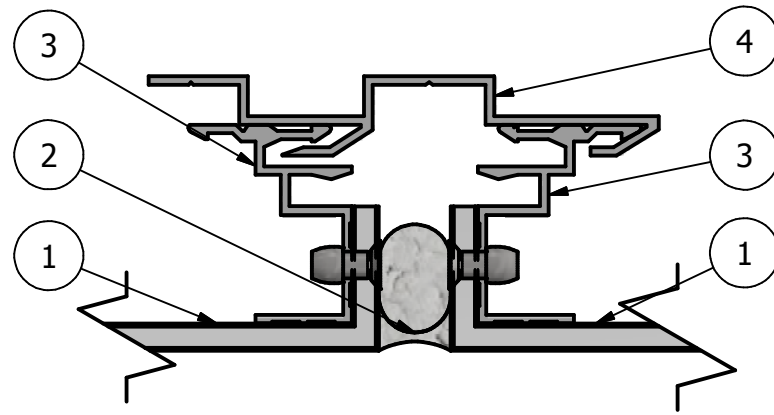
DATE:

DRAFTER:

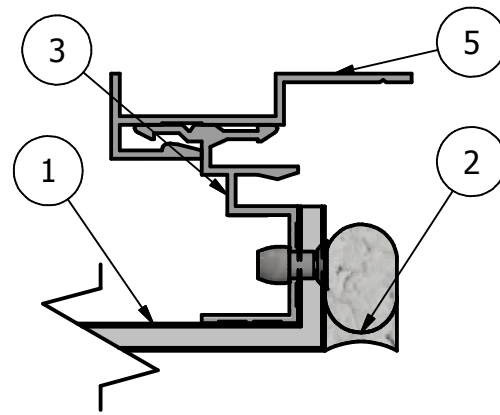
OMNI JOB #:

PAGE NO:

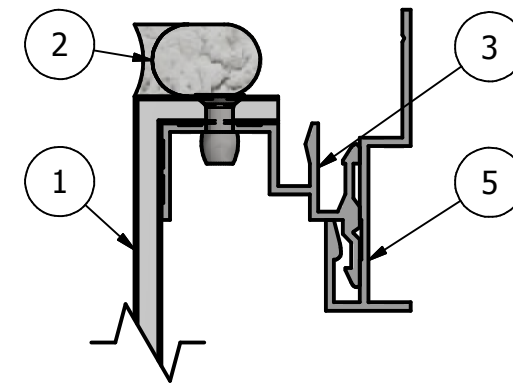
SHEET:



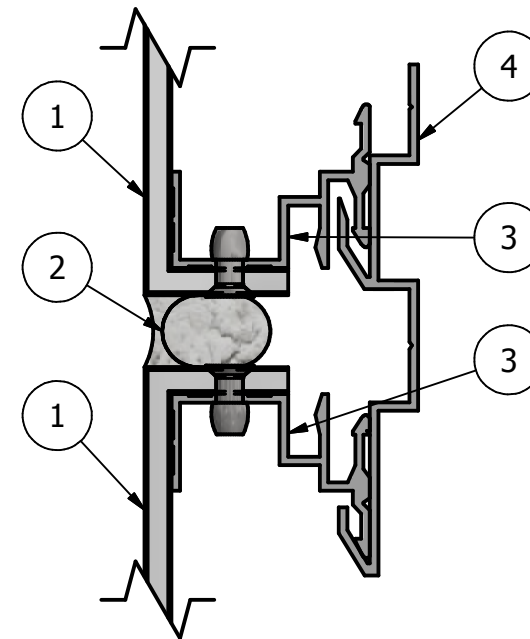
VERTICAL INTERMEDIATE DETAIL



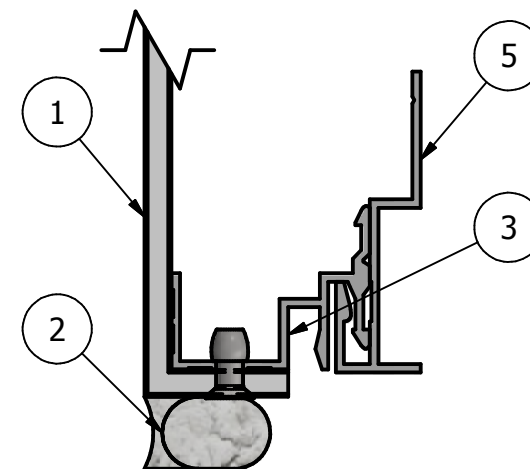
VERTICAL END DETAIL



TOP OF PANELLING DETAIL



HORIZONTAL INTERMEDIATE DETAIL



BOTTOM OF PANELLING DETAIL

| PARTS LIST | | |
|------------|----------|--------------------------|
| ITEM | PART NO. | DESCRIPTION |
| 1 | ACP | ALUMINUM COMPOSITE PANEL |
| 2 | SBR | SEALANT & BACKER ROD |
| 3 | W1793-C | PERIMETER CLIP |
| 4 | W2369 | INTERMEDIATE CLIP |
| 5 | W2370 | STARTER CLIP |

OMNI WS™
ROUT & RETURN - WET SEAL SYSTEM
 www.omnigp.com • (800) 236-8222



OMNI GLASS & PAINT, INC.
 3530 OMNI DRIVE
 OSHKOSH, WI 54903

PM NAME: JASON HOULE
 PM PHONE: 920-233-3333
 PM FAX: 920-236-7890

PROJECT:

OMNI WS™
 ROUT & RETURN - WET SEAL SYSTEM

ARCHITECT:

CONTRACTOR:

OMNI GLASS & PAINT, INC. - OSHKOSH, WI

DESCRIPTION:

DETAILS

SCALE:

9" = 1'-0"

DATE:

DRAFTER:

OMNI JOB #:

PAGE NO:

SHEET: